

P/N:1PXM226X6AX

NOTES :

1.MATERIAL

- Ⓐ OUTER SHELL : HIGH TEMPERATURE PLASTIC,UL94V-0
- Ⓑ FLUID CONTACT : COPPER ALLOY,NICKEL PLATED
- Ⓒ O-RING : FPM
- Ⓓ CABLE COLLET : HIGH TEMPERATURE PLASTIC,UL94V-0
- Ⓔ BACK NUT : HIGH TEMPERATURE PLASTIC,UL94V-0

2.ALL DIMENSIONS ARE IN MILLIMETERS

3.RoHS DIRECTIVE COMPLIANCE

4.CHARACTERISTICS

- 4.1.MAX WORKING PRESSURE : 2 bars
- 4.2.WORKING TEMPERATURE : -20~150°C
- 4.3.TUBE DIAMETER INNER/OUTER : 4mm/6mm

1P CIRCULAR ASSEMBLY P/N DESCRIPTION :

1P X M2 26 X 6 A X  
 ① ② ③ ④ ⑤ ⑥

① Type

- A=Shell:PSU Grey
- B=Shell:PSU Black
- C=Shell:PEI Grey
- D=Shell:PEI Black
- E=Shell:PPSU Grey
- F=Shell:PPSU Black

② Inner fluid contact diameter

26= 2.6mm

③ Keying

- G= 0°      H= 170°
- A= 40°     J= 205°
- B= 60°
- C= 80°

④ Cable collet

6=  $\phi 6.5\text{mm}$  (Cable $\phi=5.3\sim 6.5\text{mm}$ )

⑤ Nut

A=Standard type(Colour)

⑥ Nut Colour

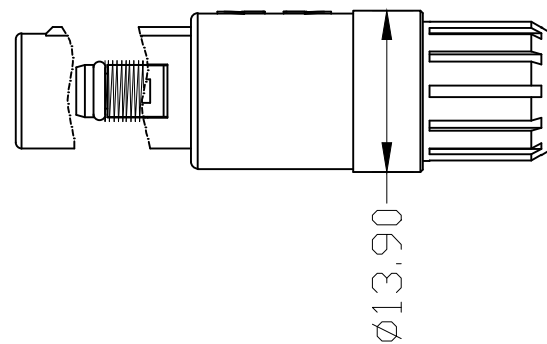
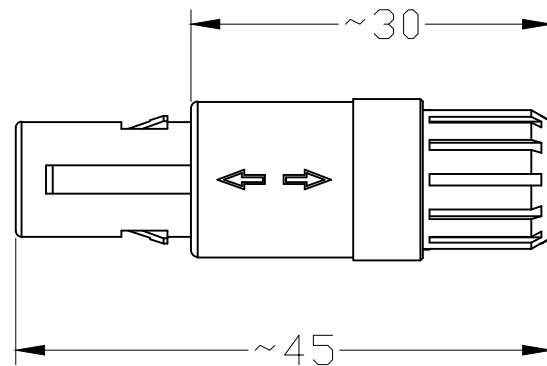
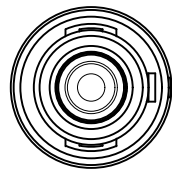
- 0= Black      5= Green
- 1= White     6= Blue
- 2= Red        8= Grey
- 4= Yellow

THIRD ANGLE PROJECTION 	TOLERANCES UNLESS OTHERWISE SPECIFIED
UNITS    ■ mm    □ INCH	0 PLC ± 1.00
ANGLES   0 PLC ± 3	1 PLC ± 0.50
1 PLC ± 2	2 PLC ± 0.25
	3 PLC ±
	4 PLC ±

**CIRCON**<sup>®</sup>  
 Dongguan Circon Technology Co.,Ltd.

TITLE: 1P CIRCULAR CONNECTOR  
 STRAIGHT PLUGS WITH FLUID CONTACT

B1	Change fo P/N	ECR18006	2018-3-1	CHECKED BY	CHARLES	DATE	2018-3-2	C	DRAWING NO.	A-M-012	REV.	B1
REV.	REVISION DESCRIPTION	ECR/ECN NO.	DATE	DRAWN BY	ANDY	DATE	2018-3-2		SIZE: A3	SCALE: 1:1	SHEET: 1 OF 3	



P/N:1PXM22AX6AX

NOTES :

1.MATERIAL

- Ⓐ OUTER SHELL : HIGH TEMPERATURE PLASTIC,UL94V-0
- Ⓑ FLUID CONTACT : COPPER ALLOY,NICKEL PLATED
- Ⓒ O-RING : FPM
- Ⓓ CABLE COLLET : HIGH TEMPERATURE PLASTIC,UL94V-0
- Ⓔ BACK NUT : HIGH TEMPERATURE PLASTIC,UL94V-0
- Ⓕ SPRING : SPRING STEEL

2.ALL DIMENSIONS ARE IN MILLIMETERS

3.RoHS DIRECTIVE COMPLIANCE

4.CHARACTERISTICS

- 4.1.MAX WORKING PRESSURE : 2 bars
- 4.2.WORKING TEMPERATURE : -20~150°C
- 4.3.TUBE DIAMETER INNER/OUTER : 4mm/6mm

1P CIRCULAR ASSEMBLY P/N DESCRIPTION :

1P X M2 2A X 6 A X  
 ① ② ③ ④ ⑤ ⑥

① Type

- A=Shell:PSU Grey
- B=Shell:PSU Black
- C=Shell:PEI Grey
- D=Shell:PEI Black
- E=Shell:PPSU Grey
- F=Shell:PPSU Black

② Inner fluid contact diameter

2A=  $\phi 2.6\text{mm} + \text{spring}$

③ Keying

- G= 0°      H= 170°
- A= 40°     J= 205°
- B= 60°
- C= 80°

④ Cable collet

6=  $\phi 6.5\text{mm}$  (Cable $\phi = 5.3 \sim 6.5\text{mm}$ )

⑤ Nut

A=Standard type(Colour)

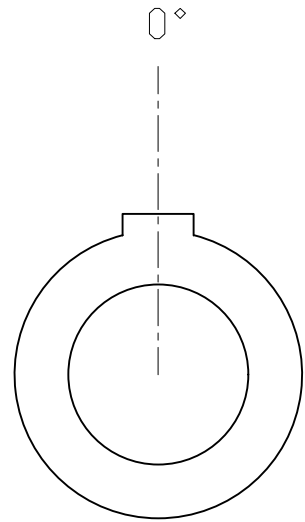
⑥ Nut Colour

- 0= Black      5= Green
- 1= White     6= Blue
- 2= Red        8= Grey
- 4= Yellow

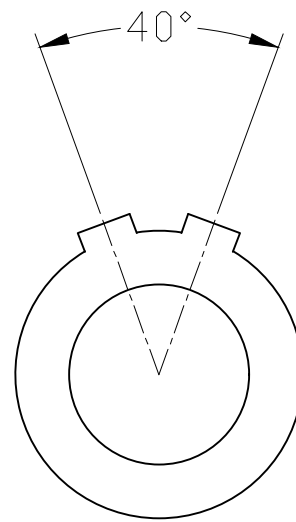
THIRD ANGLE PROJECTION 		TOLERANCES UNLESS OTHERWISE SPECIFIED		 <b>Dongguan Circon Technology Co.,Ltd.</b>			
UNITS    ■ mm    □ INCH		0 PLC ± 1.00 1 PLC ± 0.50 2 PLC ± 0.25 3 PLC ± 4 PLC ±					TITLE: 1P CIRCULAR CONNECTOR STRAIGHT PLUGS WITH FLUID CONTACT
APPROVED BY JACK		DATE 2018-3-2		C	DRAWING NO. A-M-012		REV. B1
CHECKED BY CHARLES		DATE 2018-3-2			PART NO. 1PXM22AX6AX		
DRAWN BY ANDY		DATE 2018-3-2		SIZE: A3		SCALE: 1:1	
						SHEET: 2 OF 3	

B1	Change fo P/N	ECR18006	2018-3-1
REV.	REVISION DESCRIPTION	ECR/ECN NO.	DATE

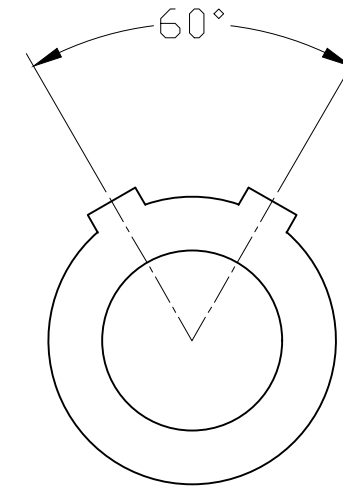
KEYING (PLUG FRONT VIEW):



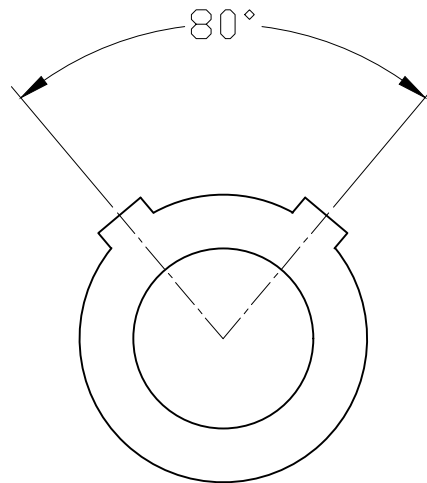
0



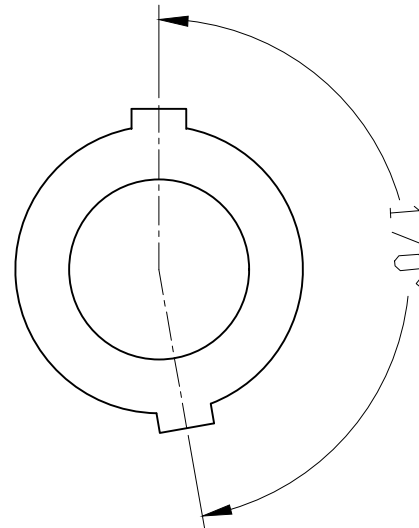
A



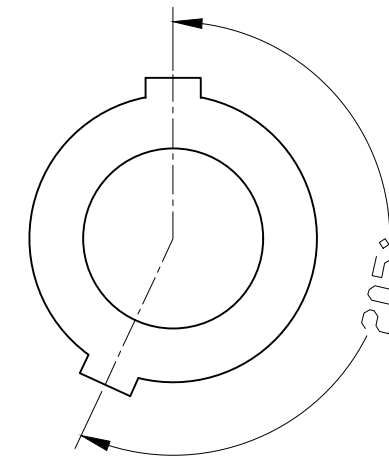
C



E

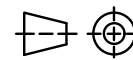


H



J

THIRD ANGLE PROJECTION



UNITS  mm  INCH

ANGLES 0 PLC ± 3  
1 PLC ± 2

TOLERANCES UNLESS OTHERWISE SPECIFIED

0 PLC ± 1.00  
1 PLC ± 0.50  
2 PLC ± 0.25  
3 PLC ±  
4 PLC ±



Dongguan Circon Technology Co.,Ltd.

TITLE: 1P CIRCULAR CONNECTOR  
STRAIGHT PLUGS WITH FLUID CONTACT

APPROVED BY JACK

DATE 2018-3-2

CHECKED BY CHARLES

DATE 2018-3-2

DRAWN BY ANDY

DATE 2018-3-2

DRAWING NO. A-M-012 REV. B1

PART NO. 1PXM22XX6AX

SIZE: A3 SCALE: 1:1 SHEET: 3 OF 3

REV.	REVISION DESCRIPTION	ECR/ECN NO.	DATE
B1	Change fo P/N	ECR18006	2018-3-1