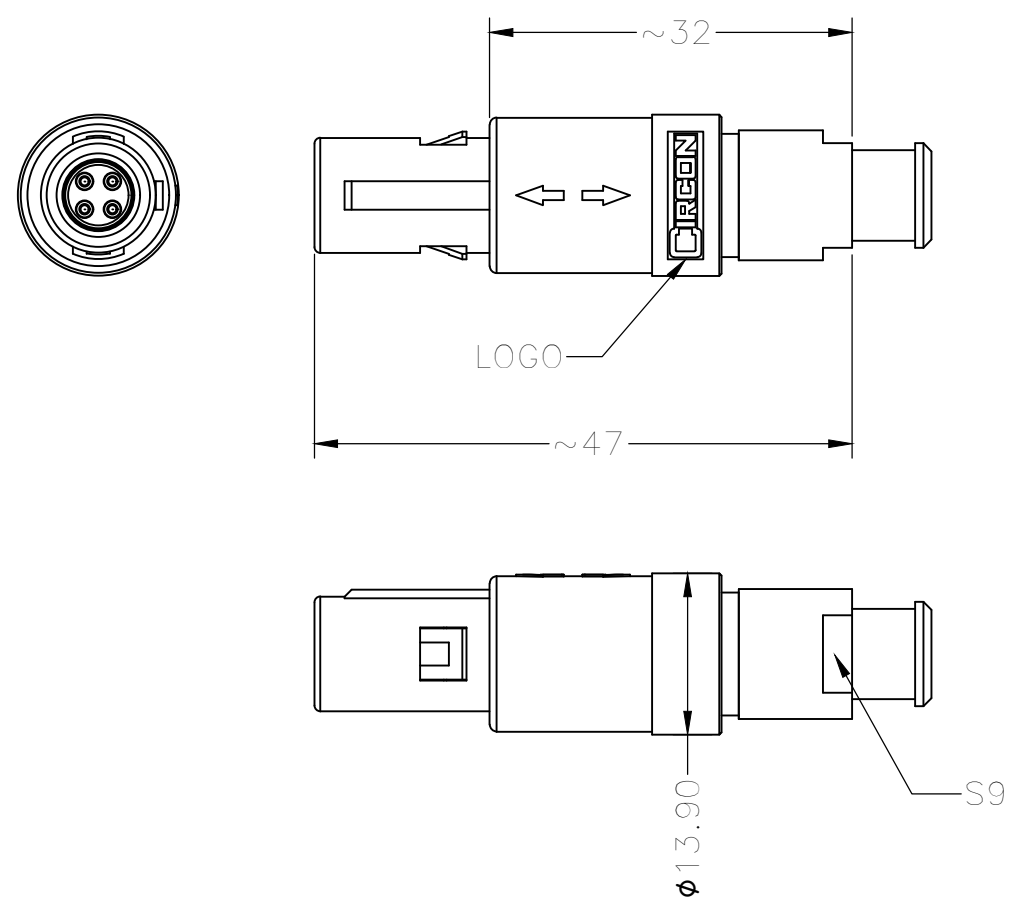
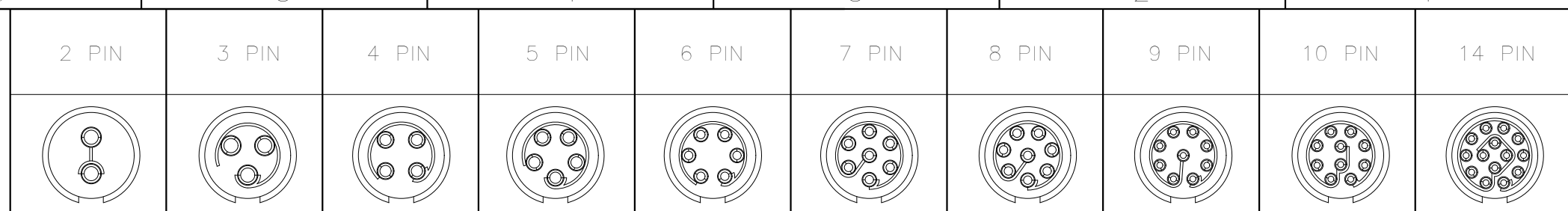


1P CIRCULAR ASSEMBLY P/N DESCRIPTION :

1P X M1 X X XX X X C X X
 ① ② ③ ④ ⑤ ⑥ ⑦ ⑧

- ① Type
 A=Shell:PSU Grey
 B=Shell:PSU Black
 C=Shell:PEI Grey
 D=Shell:PEI Black
 E=Shell:PPSU Grey
 F=Shell:PPSU Black
 1=Shell:ABS Grey
 2=Shell:ABS Black
- ② Insert
 P=PEEK
 S=PPS
- ③ Plating
 2=High Gold
 A=Gold flash
- ④ Number of contacts
 02=2Pin
 ...
 14=14Pin
- ⑤ Keying
 G= 0° (2-14Pin) H= 170° (8,10&14Pin)
 A= 40° (2-14Pin) J= 205° (8,10&14Pin)
 B= 60° (2-14Pin)
 C= 80° (2-14Pin)
- ⑥ Cable collet
 3=φ3.9mm (Cableφ=2.7~3.9mm)
 5=φ5.2mm (Cableφ=4.0~5.2mm)
 6=φ6.5mm (Cableφ=5.3~6.5mm)
- ⑦ Nut Colour
 8=Grey (Keep in line with shell)
 0=Black (Keep in line with shell)
- ⑧ Logo
 0= No Logo A= No Logo&With Ink mark
 1= With Logo B=With Logo&With Ink mark

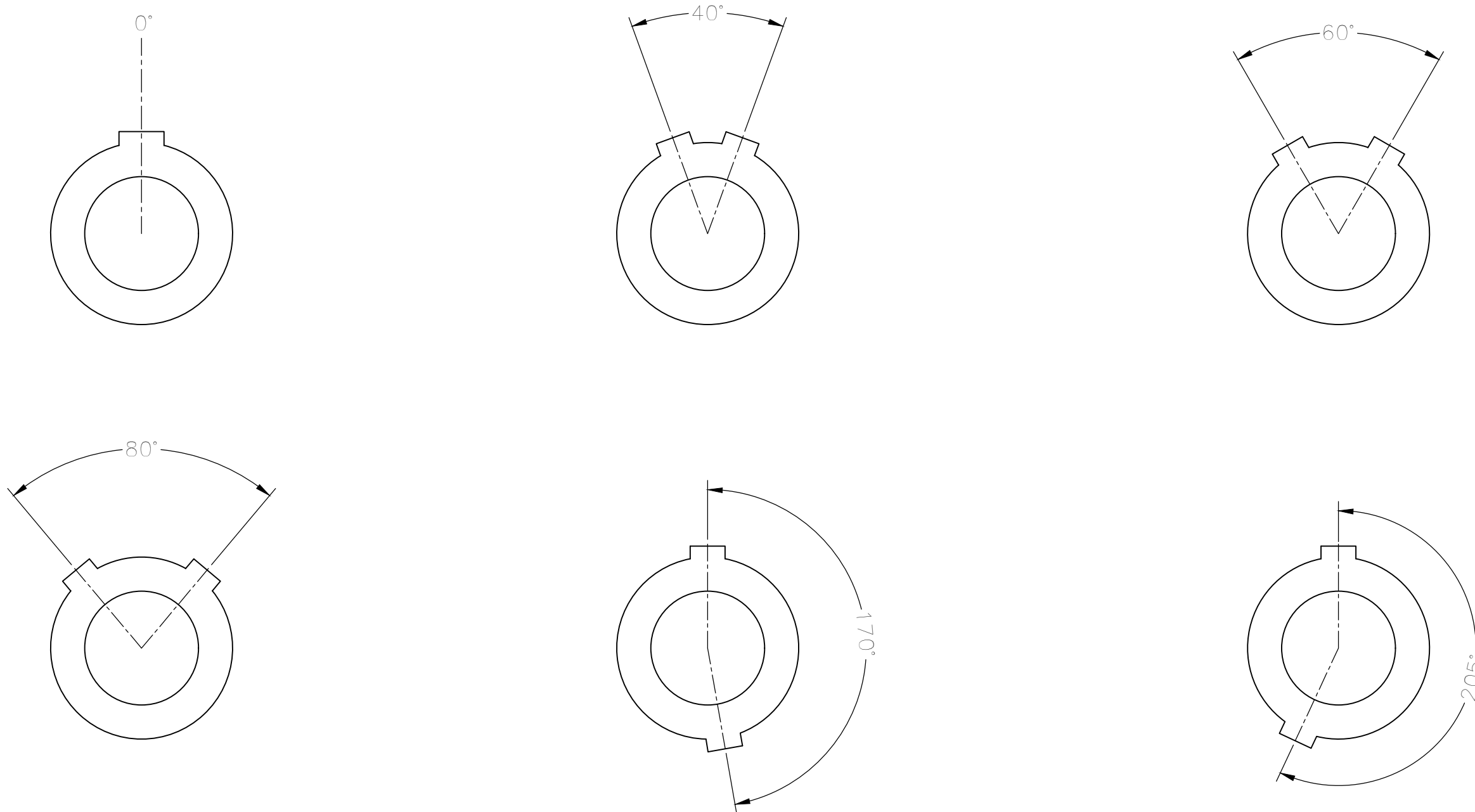



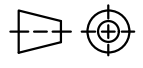
- NOTE:
1. MATERIAL:
 - 1.1.SHELL: THERMOPLASTIC,UL94V-0
 - 1.2.INSERT: THERMOPLASTIC,UL94V-0
 - 1.3.CENTER CONTACT : COPPER ALLOY,Au PLATING
 - 1.4.GASKET : ELASTOMER
 - 2.NUMBER OF CONTACT : 2 TO 14 POSITION
 - 3.RoHS DIRECTIVE COMPLIANCE
 - 4.IP64, AFTER ASSEMBLY

B2	Change fo P/N	EC18010	2018-6-6	CHECKED BY	CHARLES	DATE	2018-6-8	C	DRAWING NO.	A-M-006	REV.	B2
REV.	REVISION DESCRIPTION	ECR/ECN NO.	DATE	DRAWN BY	ANDY	DATE	2018-6-8		SIZE: A3	SCALE: 1:1	SHEET: 1 OF 2	

THIRD ANGLE PROJECTION 	TOLERANCES UNLESS OTHERWISE SPECIFIED 0 PLC ± 1.00 1 PLC ± 0.50 2 PLC ± 0.25 3 PLC ± 4 PLC ±	 Dongguan Circon Technology Co.,Ltd. TITLE: 1P CIRCULAR CONNECTORSTRAIGHT PLUGS Nut=For fitting a bend relief type-IP64
UNITS ■ mm □ INCH	APPROVED BY JACK DATE 2018-6-8	
ANGLES 0 PLC ± 3 1 PLC ± 2	CHECKED BY CHARLES DATE 2018-6-8	

KEYING (PLUG FRONT VIEW):



THIRD ANGLE PROJECTION		TOLERANCES UNLESS OTHERWISE SPECIFIED		 Dongguan Circon Technology Co.,Ltd.										
 UNITS <input checked="" type="checkbox"/> mm <input type="checkbox"/> INCH ANGLES 0 PLC ± 3 1 PLC ± 2		0 PLC ± 1.00 1 PLC ± 0.50 2 PLC ± 0.25 3 PLC ± 4 PLC ±				TITLE: 1P CIRCULAR CONNECTOR STRAIGHT PLUGS Nut=For fitting a bend relief type-IP64								
APPROVED BY	JACK	DATE	2018-6-8	C	DRAWING NO.	A-M-006	REV.	B2						
CHECKED BY	CHARLES	DATE	2018-6-8		PART NO.	1PXM1XXXXXXCXX								
REV.	B2	REVISION DESCRIPTION	Change fo P/N	ECR/ECN NO.	EC18010	DATE	2018-6-6	DRAWN BY	ANDY	DATE	2018-6-8	SIZE: A3	SCALE: 1:1	SHEET: 2 OF 2