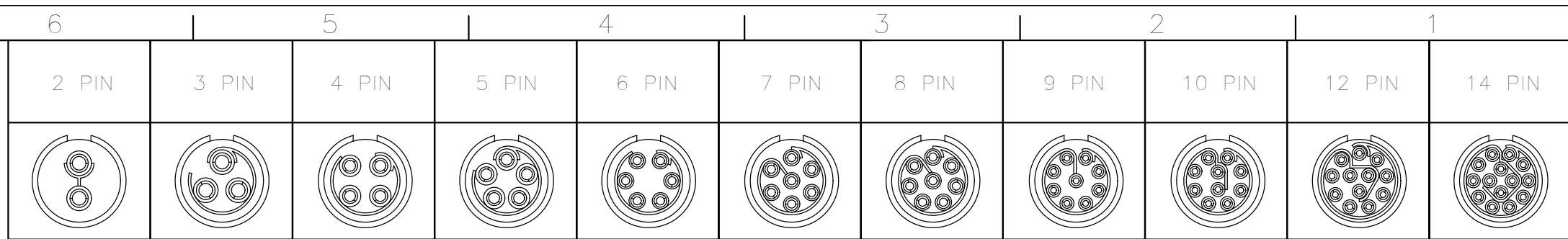


1P CIRCULAR ASSEMBLY P/N DESCRIPTION :

1P X F2 X X XX X 0 D X X
 ① ② ③ ④ ⑤ ⑥ ⑦



① Type

- A=Shell:PSU Grey
- B=Shell:PSU Black
- C=Shell:PEI Grey
- D=Shell:PEI Black
- E=Shell:PPSU Grey
- F=Shell:PPSU Black
- 1=Shell:ABS Grey
- 2=Shell:ABS Black

② Insert

- P=PEEK
- S=PPS

③ Plating

- 2=High Gold
- A=Gold flash

④ Number of contacts

- 02=2Pin
- ⋮
- 14=14Pin

⑤ Keying

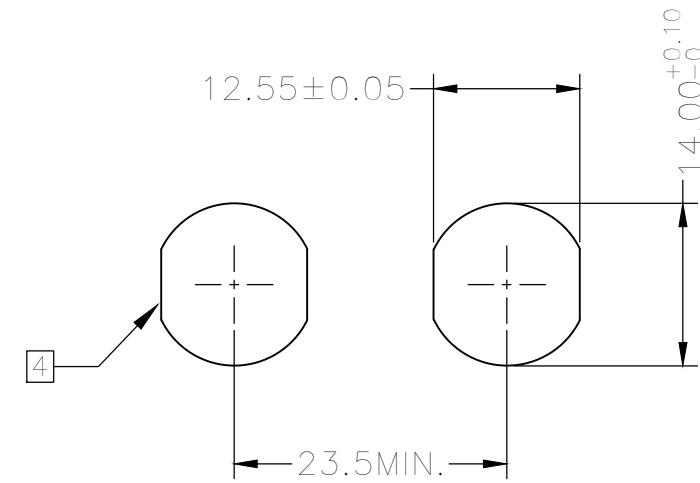
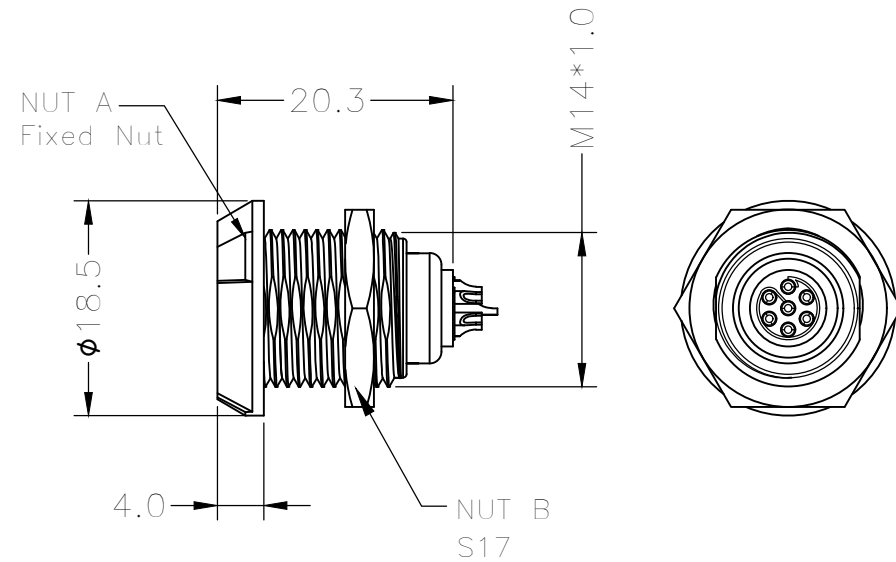
- G= 0° (2-14Pin) H= 170° (8,10&14Pin)
- A= 40° (2-14Pin) J= 205° (8,10&14Pin)
- B= 60° (2-14Pin)
- C= 80° (2-14Pin)

⑥ Nut Colour

- 0= Black 2= Red 5= Green 8= Grey
- 1= White 4= Yellow 6= Blue

⑦ Logo

- 0= No Logo A= No Logo&With Ink mark
- 1= With Logo B= With Logo&With Ink mark



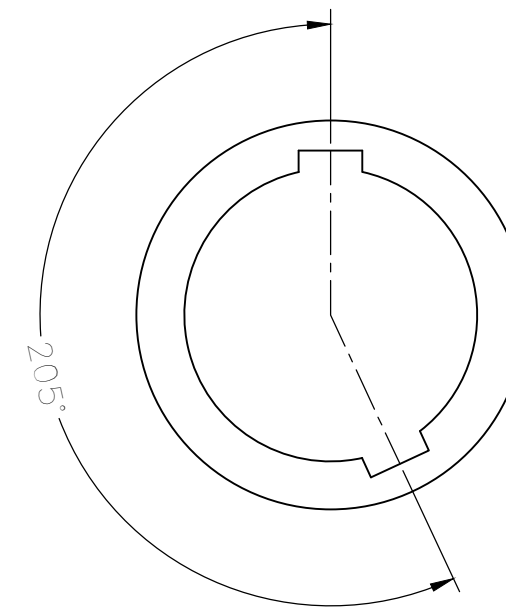
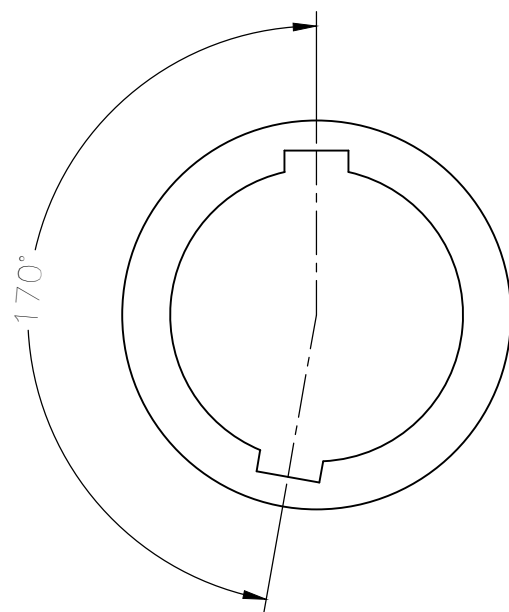
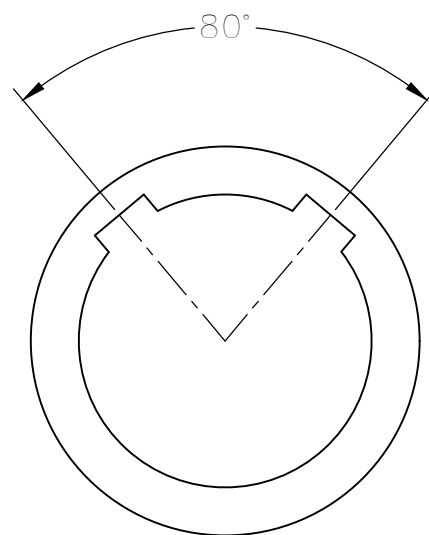
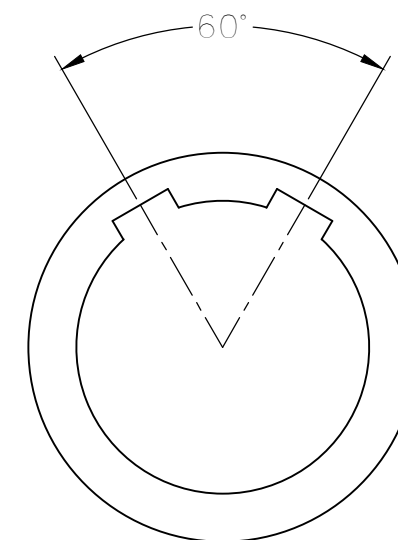
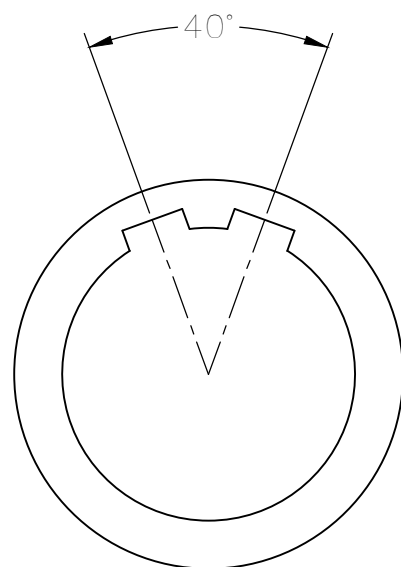
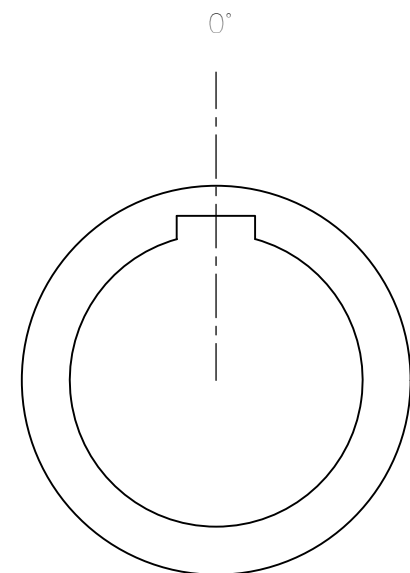
NOTE:

1. MATERIAL:
 - 1.1.SHELL: THERMOPLASTIC,UL94V-0
 - 1.2.INSERT: THERMOPLASTIC,UL94V-0
 - 1.3.CENTER CONTACT : COPPER ALLOY, Au PLATING
 - 1.4.NUT A : THERMOPLASTIC,UL94V-0
 - 1.5.NUT B : COPPER ALLOY,Ni PLATING
- 2.NUMBER OF CONTACT : 2 TO 14 POSITION
- 3.RoHS DIRECTIVE COMPLIANCE
- ④PANEL HOLE

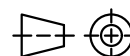
THIRD ANGLE PROJECTION		TOLERANCES UNLESS OTHERWISE SPECIFIED		 Dongguan Circon Technology Co.,Ltd.	
		0 PLC ± 1.00 1 PLC ± 0.50 2 PLC ± 0.25 3 PLC ± 4 PLC ±			
UNITS ■ mm □ INCH		APPROVED BY JACK DATE 2018-6-8		C	DRAWING NO. A-M-007
ANGLES 0 PLC ± 3 1 PLC ± 2		CHECKED BY CHARLES DATE 2018-6-8			PART NO. 1PXF2XXXXX0DXX
REV. REVISION DESCRIPTION		DRAWN BY ANDY DATE 2018-6-8		SIZE: A3 SCALE: 1:1 SHEET: 1 OF 2	

B2	Change fo P/N	EC18010	2018-6-6
REV.	REVISION DESCRIPTION	ECR/ECN NO.	DATE

KEYING (RECEPTACLE FRONT VIEW):



THIRD ANGLE PROJECTION



TOLERANCES UNLESS OTHERWISE SPECIFIED

UNITS mm INCH

ANGLES 0 PLC ± 3
1 PLC ± 2

0 PLC ± 1.00
1 PLC ± 0.50
2 PLC ± 0.25
3 PLC ±
4 PLC ±



Dongguan Circon Technology Co.,Ltd.

TITLE: 1P CIRCULAR CONNECTOR
FIXED SOCKETS

APPROVED BY	JACK	DATE	2018-6-8
CHECKED BY	CHARLES	DATE	2018-6-8
DRAWN BY	ANDY	DATE	2018-6-8

C	DRAWING NO.	A-M-007	REV.	B2	
	PART NO.	1PXF2XXXXX0DXX			
SIZE:	A3	SCALE:	1:1	SHEET:	2 OF 2

B2	Change fo P/N	EC18010	2018-6-6
REV.	REVISION DESCRIPTION	ECR/ECN NO.	DATE