

1P CIRCULAR ASSEMBLY P/N DESCRIPTION :

1P X F6 X X XX X 0 D X X
 ① ② ③ ④ ⑤ ⑥ ⑦

① Type

- A=Shell:PSU Grey
- B=Shell:PSU Black
- C=Shell:PEI Grey
- D=Shell:PEI Black
- E=Shell:PPSU Grey
- F=Shell:PPSU Black
- 1=Shell:ABS Grey
- 2=Shell:ABS Black

② Insert

- P=PEEK
- S=PPS

③ Plating

- 2=High Gold
- A=Gold flash

④ Number of contacts

- 02=2Pin
- ...
- 14=14Pin

⑤ Keying

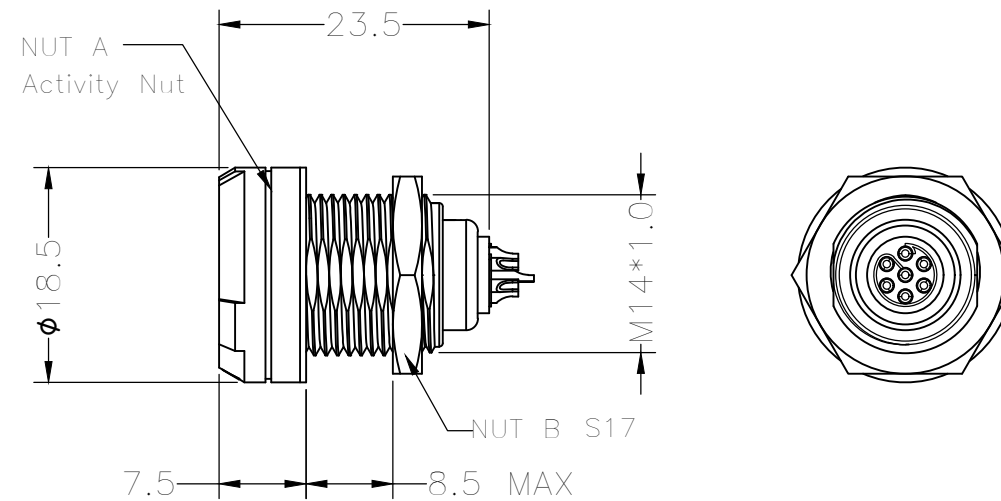
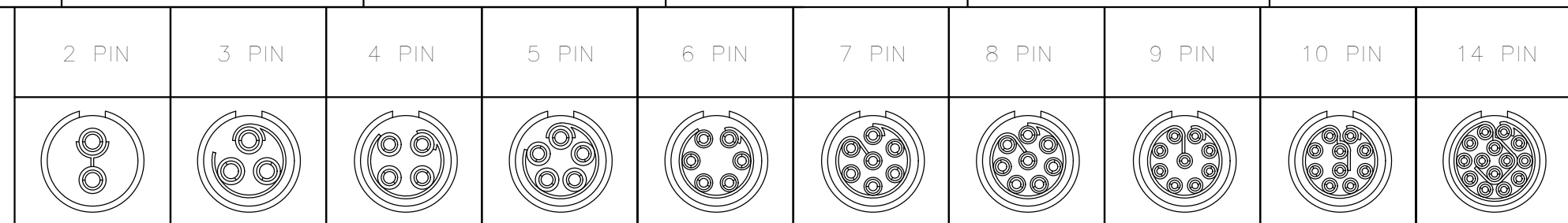
- G= 0° (2-14Pin) H= 170° (8,10&14Pin)
- A= 40° (2-14Pin) J= 205° (8,10&14Pin)
- B= 60° (2-14Pin)
- C= 80° (2-14Pin)

⑥ Nut Colour

- 0= Black 2= Red 5= Green 8= Grey
- 1= White 4= Yellow 6= Blue

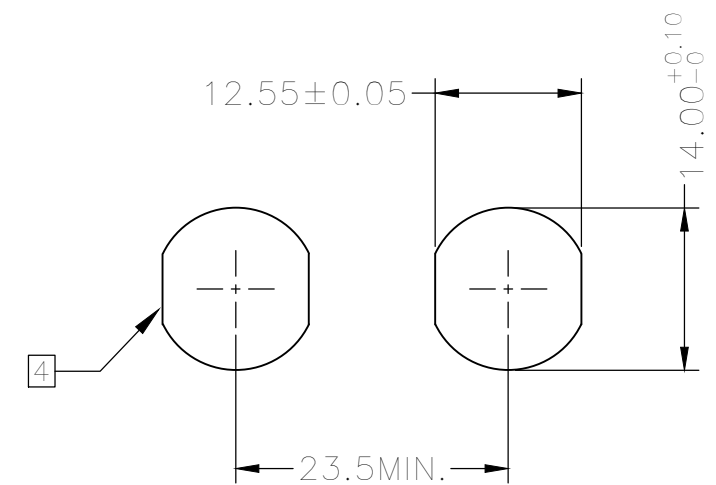
⑦ Logo

- 0= No Logo A= No Logo&With Ink mark
- 1= With Logo B= With Logo&With Ink mark



NOTE:

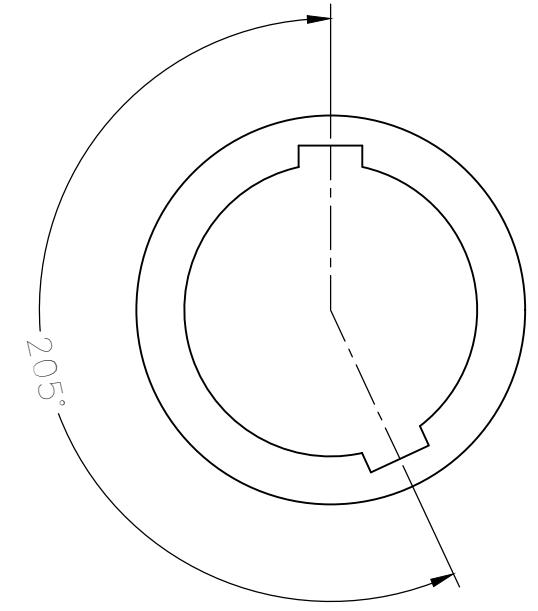
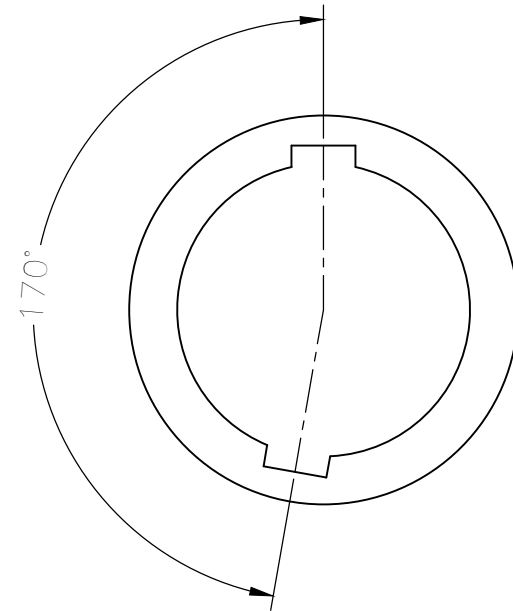
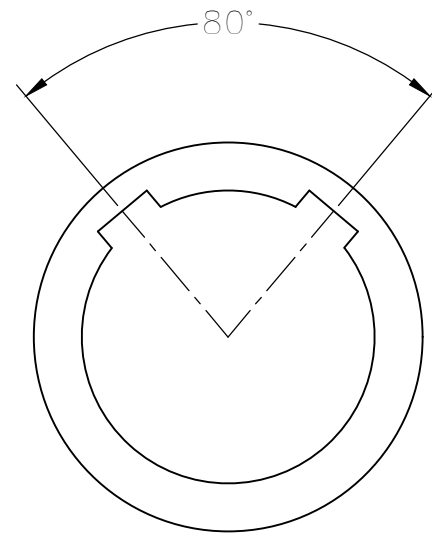
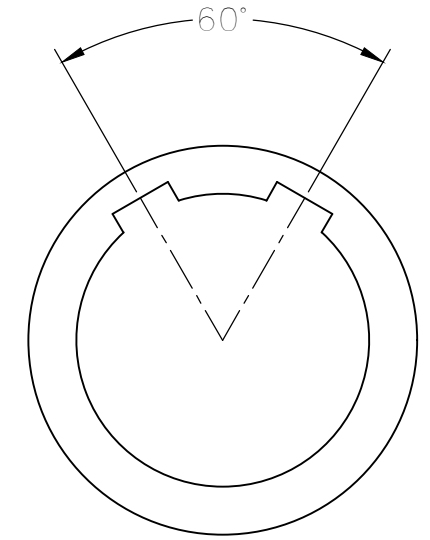
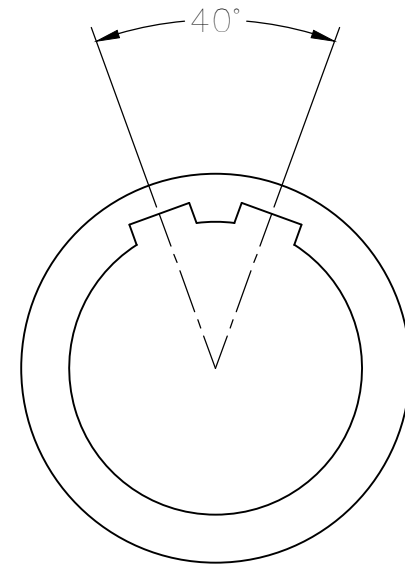
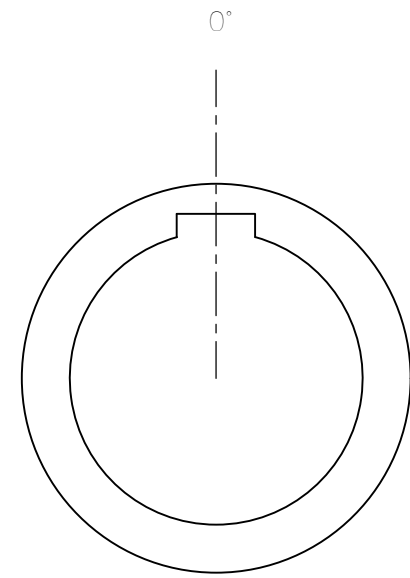
1. MATERIAL:
 - 1.1.SHELL: THERMOPLASTIC,UL94V-0
 - 1.2.INSERT: THERMOPLASTIC,UL94V-0
 - 1.3.CENTER CONTACT : COPPER ALLOY, Au PLATING
 - 1.4.NUT A : THERMOPLASTIC,UL94V-0
 - 1.5.NUT B : COPPER ALLOY,Ni PLATING
 - 1.6.GASKET : ELASTOMER
- 2.NUMBER OF CONTACT : 2 TO 14 POSITION
- 3.RoHS DIRECTIVE COMPLIANCE
- ④ PANEL HOLE
- 5.IP64, AFTER ASSEMBLY



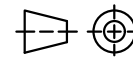
THIRD ANGLE PROJECTION		TOLERANCES UNLESS OTHERWISE SPECIFIED		 Dongguan Circon Technology Co.,Ltd.	
		0 PLC ± 1.00 1 PLC ± 0.50 2 PLC ± 0.25 3 PLC ± 4 PLC ±			
UNITS ■ mm □ INCH		APPROVED BY JACK		C	DRAWING NO. A-M-046
ANGLES 0 PLC ± 3 1 PLC ± 2		CHECKED BY CHARLES			PART NO. 1PXF6XXXXX0DXX
REV. REVISION DESCRIPTION ECR/ECN NO. DATE		DRAWN BY ANDY DATE 2019-4-16		SIZE: A3 SCALE: 1:1 SHEET: 1 OF 2	

REV.	REVISION DESCRIPTION	ECR/ECN NO.	DATE	DRAWN BY	ANDY	DATE	2019-4-16	SIZE: A3	SCALE: 1:1	SHEET: 1 OF 2
------	----------------------	-------------	------	----------	------	------	-----------	----------	------------	---------------

KEYING (RECEPTACLE FRONT VIEW):



THIRD ANGLE PROJECTION



TOLERANCES UNLESS OTHERWISE SPECIFIED

UNITS mm INCH

ANGLES 0 PLC ± 3
1 PLC ± 2

0 PLC ± 1.00
1 PLC ± 0.50
2 PLC ± 0.25
3 PLC ±
4 PLC ±



Dongguan Circon Technology Co.,Ltd.

TITLE: 1P CIRCULAR CONNECTOR
FIXED SOCKETS/IP64

APPROVED BY	JACK	DATE	2019-4-16
CHECKED BY	CHARLES	DATE	2019-4-16

C	DRAWING NO.	A-M-046	REV.	A1
	PART NO.	1PXF6XXXXX0DXX		

REV.	REVISION DESCRIPTION	ECR/ECN NO.	DATE	DRAWN BY	ANDY	DATE	2019-4-16	SIZE: A3	SCALE: 1:1	SHEET: 2 OF 2
------	----------------------	-------------	------	----------	------	------	-----------	----------	------------	---------------