

1H CIRCULAR ASSEMBLY P/N DESCRIPTION :

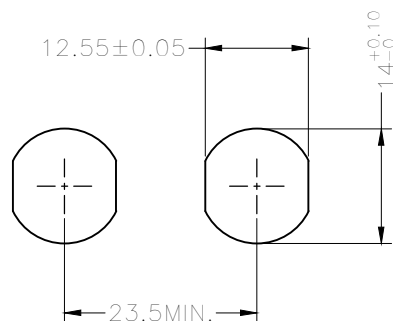
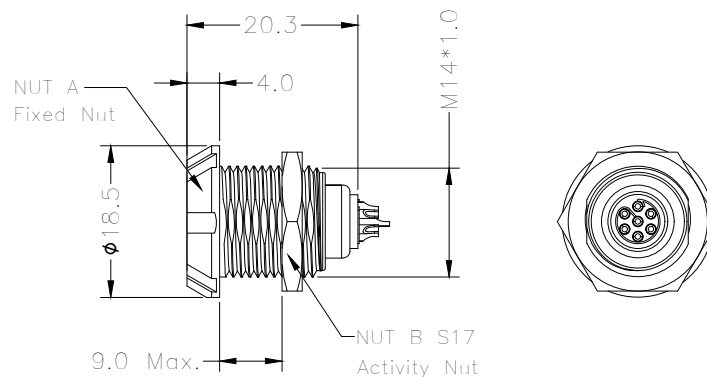
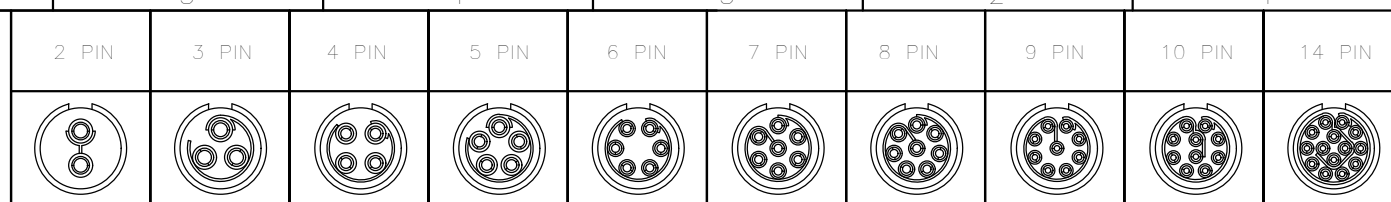
1H E F2 X X XX X 0 C X 0

① ② ③ ④ ⑤

- ① Insert
P=PEEK
S=PPS
- ② Contact Plating
2=High Gold
A=Gold flash
- ③ Number of contacts
02=2Pin
.....
14=14Pin
- ④ Keying
G=0° (2-14Pin)
A=40° (2-14Pin)
B=60° (2-14Pin)
C=80° (2-14Pin)
H=170° (8,10&14Pin)
J=205° (8,10&14Pin)

⑤ Shell&Nut A Colour

- 0= Black
- 2= Red
- 4= Golden
- 5= Green
- 6= Blue



PANEL HOLE

NOTE:

1. MATERIAL:
 - 1.1.OUTER SHELL: ALUMINIUM ALLOY, ANODIC OXIDATION
 - 1.2.NUT A: ALUMINIUM ALLOY, ANODIC OXIDATION
 - 1.3.NUT B: COPPER ALLOY, Ni PLATING
 - 1.4.INSERT: THERMOPLASTIC,UL94V-0
 - 1.5.CENTER CONTACT : COPPER ALLOY,Au PLATING
- 2.NUMBER OF CONTACT : 2 TO 14 POSITION
- 3.RoHS DIRECTIVE COMPLIANCE

THIRD ANGLE PROJECTION		TOLERANCES UNLESS OTHERWISE SPECIFIED	
		0 PLC ± 1.00 1 PLC ± 0.50 2 PLC ± 0.25 3 PLC ± 4 PLC ±	
UNITS	■ mm □ INCH		
ANGLES	0 PLC ± 3 1 PLC ± 2		

Dongguan Circon Technology Co.,Ltd.

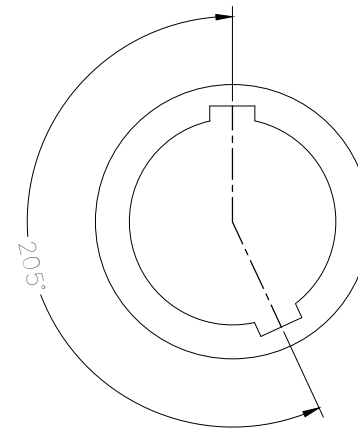
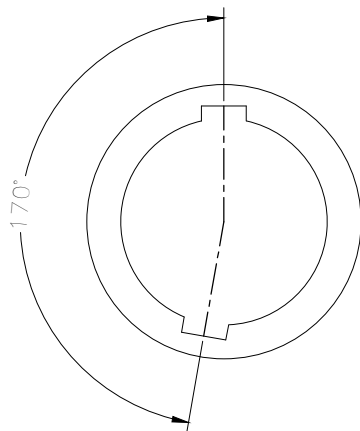
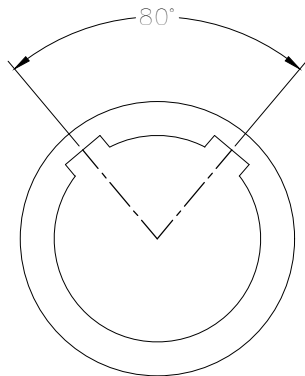
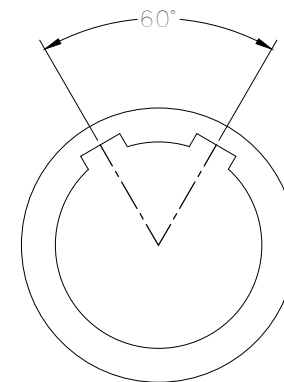
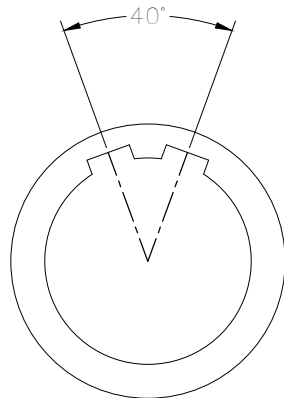
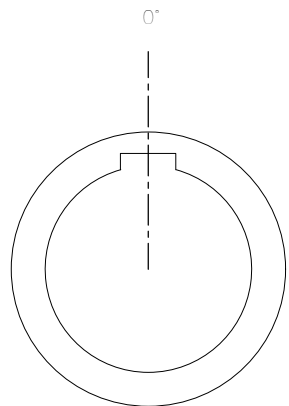
TITLE:
1H CIRCULAR CONNECTOR FIXED SOCKETS
SHELL MATERIAL:ALUMINIUM ALLOY


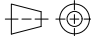
APPROVED BY	JACK	DATE	2019-4-18
CHECKED BY	CHARLES	DATE	2019-4-18

C	DRAWING NO.	A-M-080	REV.	
	PART NO.	1HEF2XXXXX0CX0		A0

REV.	REVISION DESCRIPTION	ECR/ECN NO.	DATE	DRAWN BY	ANDY	DATE	2019-4-18	SIZE: A3	SCALE: 1:1	SHEET: 1 OF 2
------	----------------------	-------------	------	----------	------	------	-----------	----------	------------	---------------

KEYING (RECEPTACLE FRONT VIEW):



THIRD ANGLE PROJECTION		TOLERANCES UNLESS OTHERWISE SPECIFIED		 Dongguan Circon Technology Co.,Ltd.				
		0 PLC ± 1.00 1 PLC ± 0.50 2 PLC ± 0.25 3 PLC ± 4 PLC ±				TITLE: 1H CIRCULAR CONNECTOR FIXED SOCKETS SHELL MATERIAL:ALUMINIUM ALLOY		
UNITS ■ mm □ INCH		APPROVED BY JACK DATE 2019-4-18		C	DRAWING NO. A-M-080	REV. A0		
ANGLES 0 PLC ± 3 1 PLC ± 2		CHECKED BY CHARLES DATE 2019-4-18			PART NO. 1HEF2XXXXX0CX0			
REV.	REVISION DESCRIPTION	ECR/ECN NO.	DATE	DRAWN BY ANDY	DATE 2019-4-18	SIZE: A3	SCALE: 1:1	SHEET: 2 OF 2