

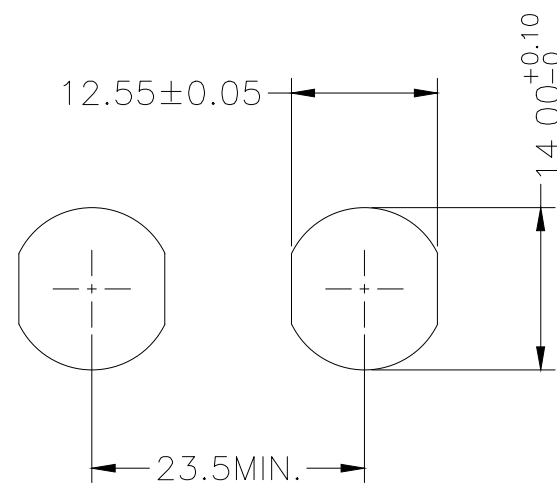
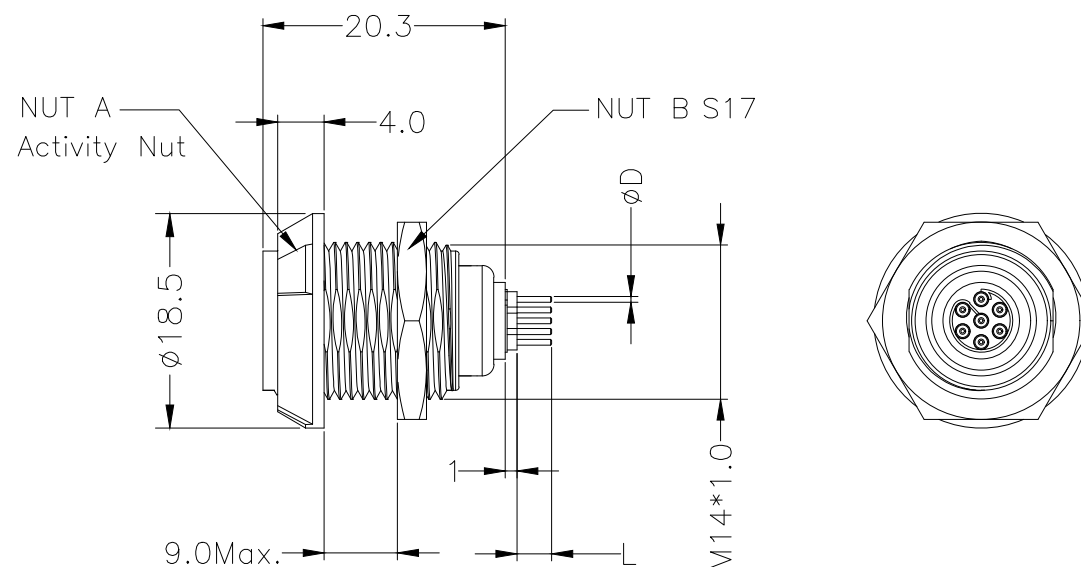
1P CIRCULAR ASSEMBLY P/N DESCRIPTION :

1P X F7 X X XX X 0 D X X
 ① ② ③ ④ ⑤ ⑥ ⑦

- ① Type
 A=Shell:PSU Grey
 B=Shell:PSU Black
 C=Shell:PEI Grey
 D=Shell:PEI Black
 E=Shell:PPSU Grey
 F=Shell:PPSU Black
 1=Shell:ABS Grey
 2=Shell:ABS Black
- ② Insert
 P=PEEK
 S=PPS
- ③ Plating
 2=High Gold
 A=Gold flash
- ④ Number of contacts
 02=2Pin

 14=14Pin
- ⑤ Keying
 G= 0° (2-14Pin) H= 170° (8,10&14Pin)
 A= 40° (2-14Pin) J= 205° (8,10&14Pin)
 B= 60° (2-14Pin)
 C= 80° (2-14Pin)
- ⑥ Nut Colour
 0= Black 2= Red 5= Green 8= Grey
 1= White 4= Yellow 6= Blue
- ⑦ Logo
 0= No Logo A= No Logo&With Ink mark
 1= With Logo B= With Logo&Winth Ink mark

| | 2 PIN | 3 PIN | 4 PIN | 5 PIN | 6 PIN | 7 PIN | 8 PIN | 9 PIN | 10 PIN | 14 PIN |
|----|-------|-------|-------|-------|-------|-------|-------|-------|--------|--------|
| | | | | | | | | | | |
| L | 5 | 5 | 5 | 5 | 3 | 3 | 3 | 3 | 3 | 3 |
| ∅D | 0.7 | 0.7 | 0.7 | 0.7 | 0.5 | 0.5 | 0.5 | 0.5 | 0.5 | 0.5 |



NOTE:
 1. MATERIAL:
 1.1.SHELL: THERMOPLASTIC,UL94V-0
 1.2.INSERT: THERMOPLASTIC,UL94V-0
 1.3.CENTER CONTACT : COPPER ALLOY, Au PLATING
 1.4.NUT A : THERMOPLASTIC,UL94V-0
 1.5.NUT B : COPPER ALLOY,Ni PLATING
 2.NUMBER OF CONTACT : 2 TO 14 POSITION
 3.RoHS DIRECTIVE COMPLIANCE

| | |
|----------------------------|---------------------------------------|
| THIRD ANGLE PROJECTION | TOLERANCES UNLESS OTHERWISE SPECIFIED |
| UNITS ■ mm □ INCH | 0 PLC ± 1.00 |
| ANGLES 0 PLC ± 3 | 1 PLC ± 0.50 |
| 1 PLC ± 2 | 2 PLC ± 0.25 |
| | 3 PLC ± |
| | 4 PLC ± |

CIRCON[®]
Dongguan Circon Technology Co.,Ltd.

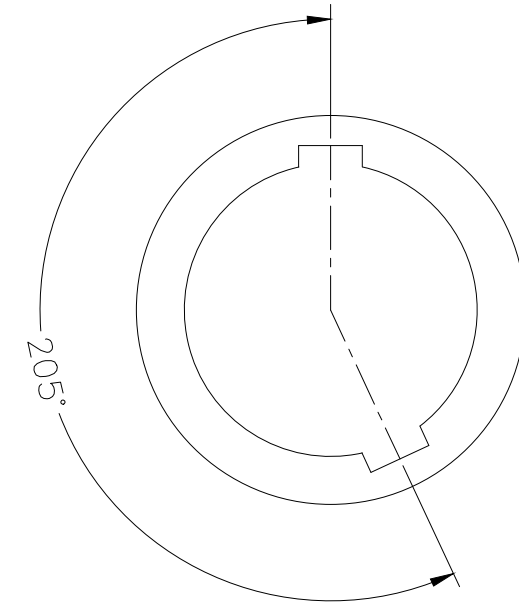
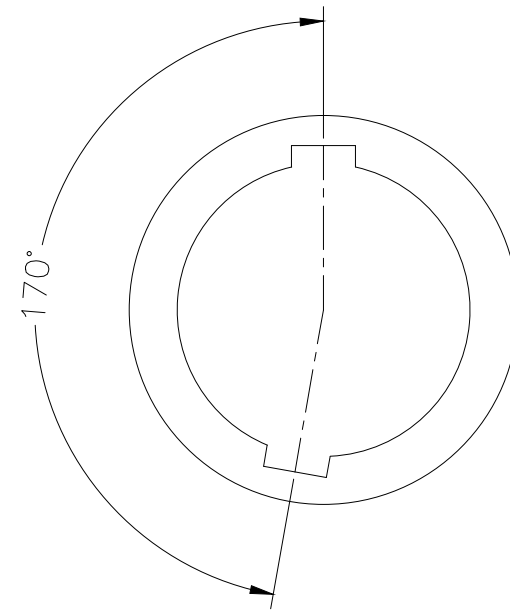
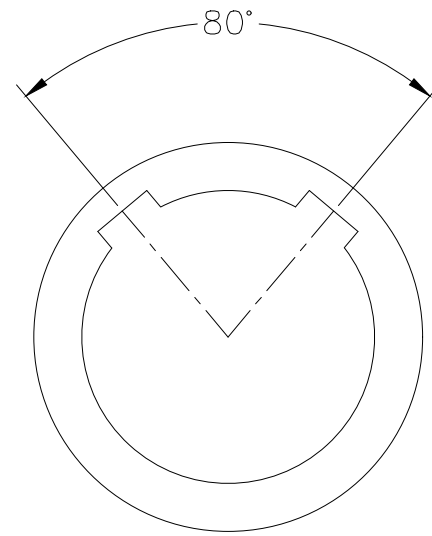
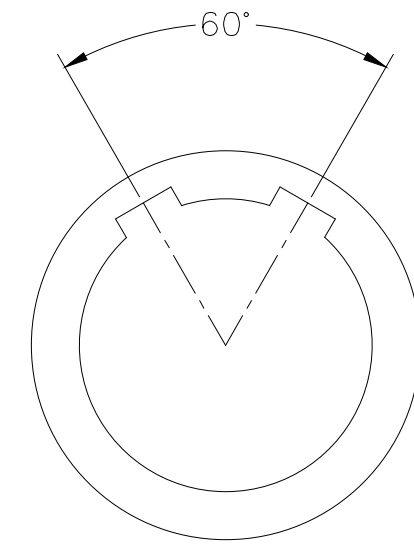
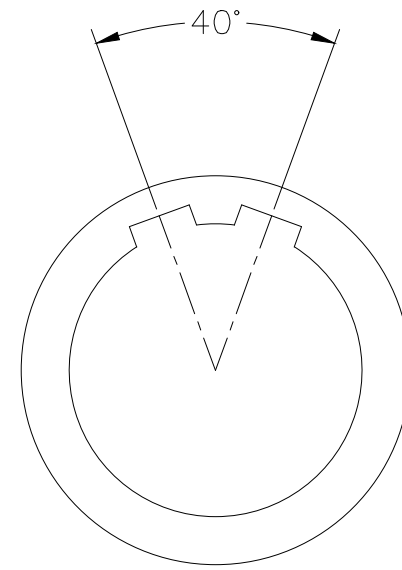
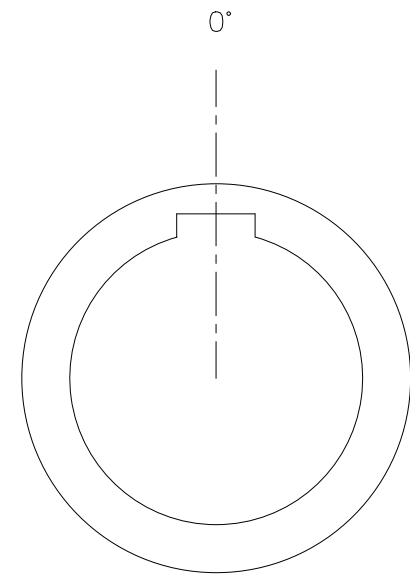
TITLE: 1P CIRCULAR CONNECTOR
 FIXED SOCKETS

| | | | |
|-------------|---------|------|-----------|
| APPROVED BY | JACK | DATE | 2018-12-8 |
| CHECKED BY | CHARLES | DATE | 2018-12-8 |
| DRAWN BY | ANDY | DATE | 2018-12-8 |

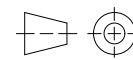
| | | | | | |
|-------|-------------|----------------|------|--------|--------|
| C | DRAWING NO. | A-M-073 | REV. | A0 | |
| | PART NO. | 1PXF7XXXXX0DXX | | | |
| SIZE: | A3 | SCALE: | 1:1 | SHEET: | 1 OF 3 |

| REV. | REVISION DESCRIPTION | ECR/ECN NO. | DATE |
|------|----------------------|-------------|------|
| | | | |

KEYING (RECEPTACLE FRONT VIEW):



THIRD ANGLE PROJECTION



TOLERANCES UNLESS OTHERWISE SPECIFIED

UNITS mm INCH

ANGLES 0 PLC ± 3
1 PLC ± 2

0 PLC ± 1.00
1 PLC ± 0.50
2 PLC ± 0.25
3 PLC ±
4 PLC ±



Dongguan Circon Technology Co.,Ltd.

TITLE: 1P CIRCULAR CONNECTOR
FIXED SOCKETS

APPROVED BY JACK DATE 2018-12-8

CHECKED BY CHARLES DATE 2018-12-8

DRAWN BY ANDY DATE 2018-12-8

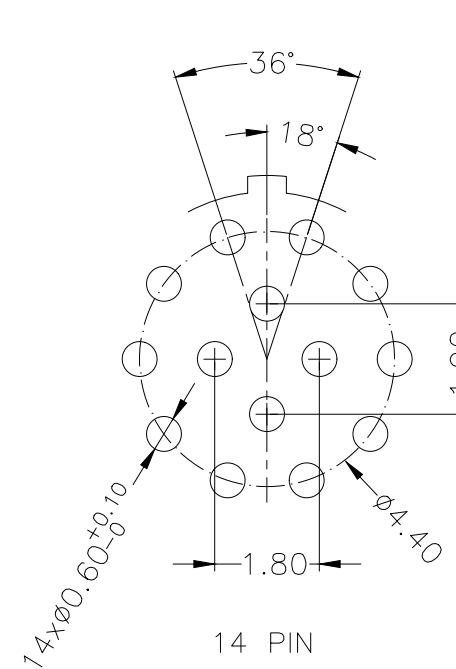
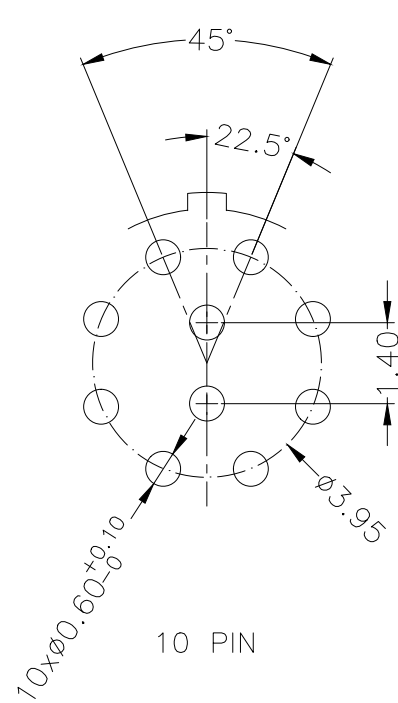
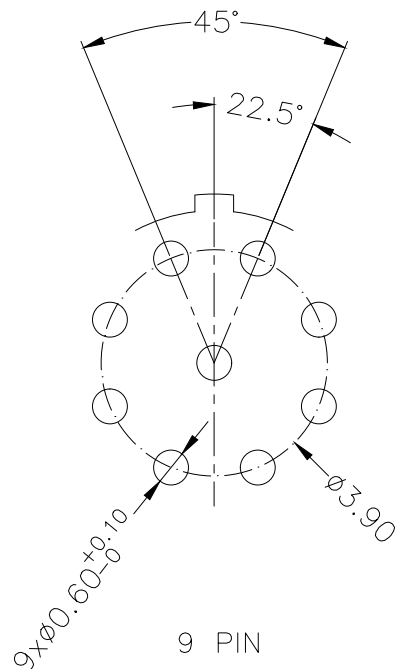
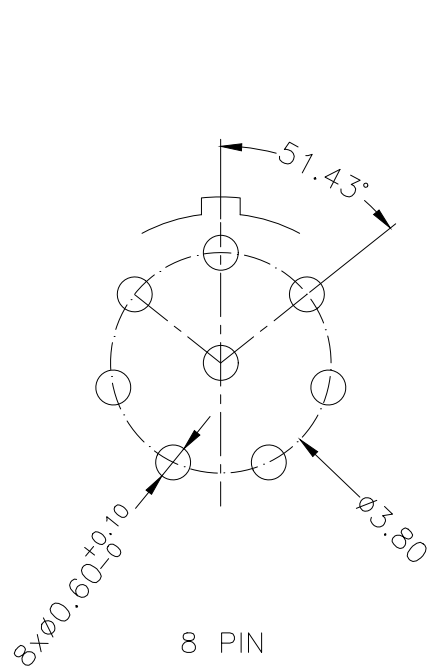
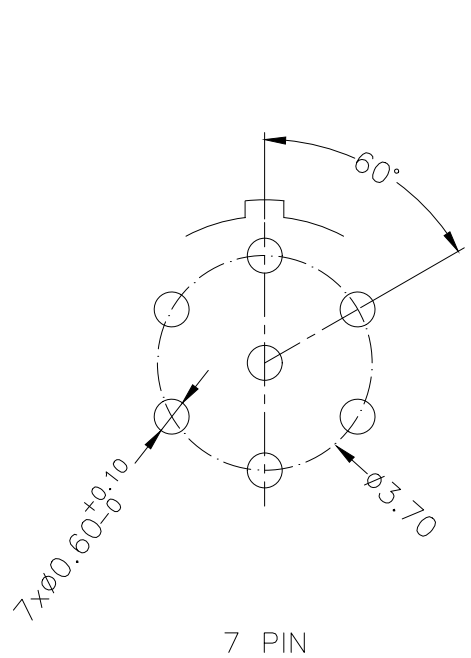
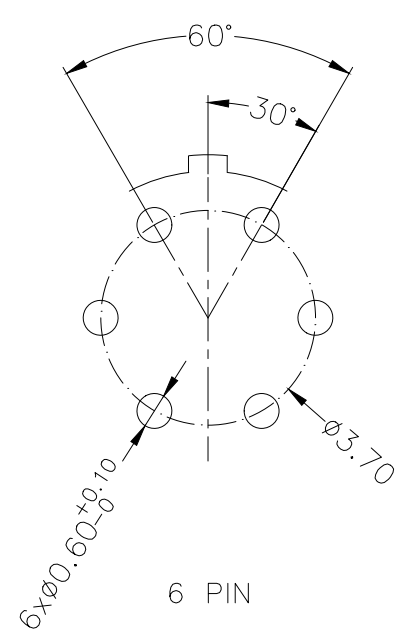
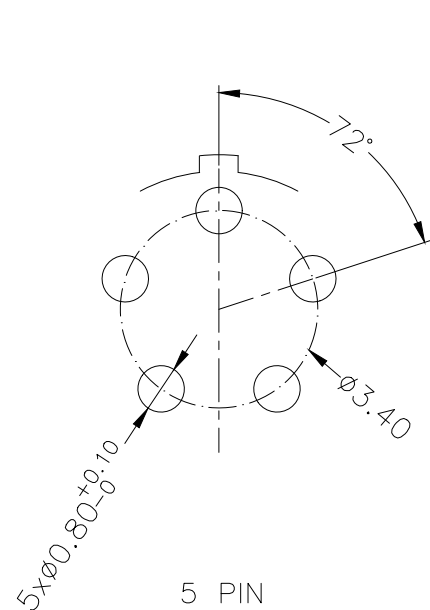
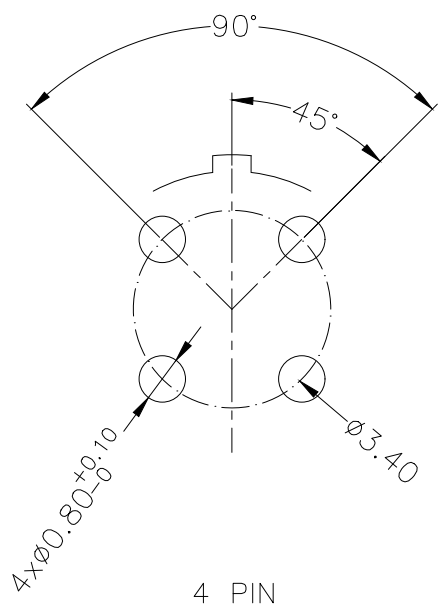
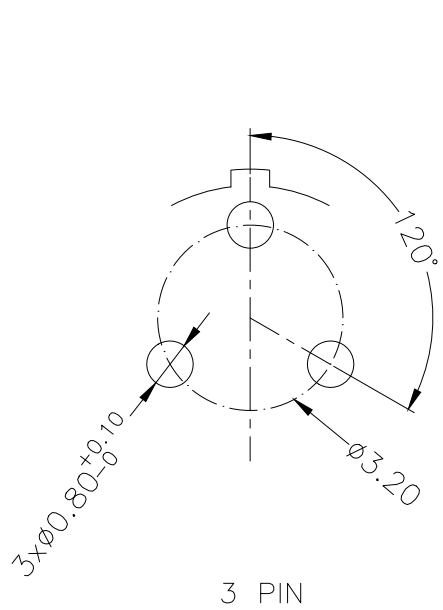
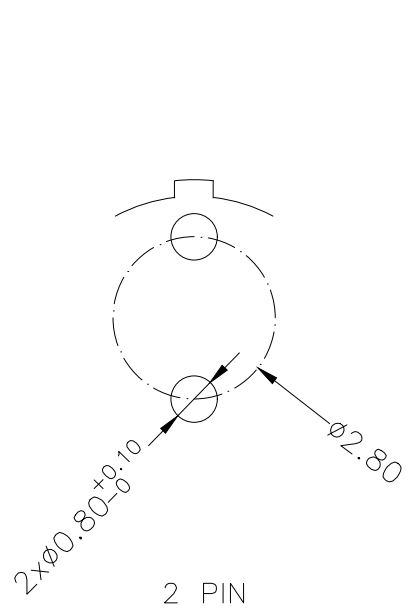
DRAWING NO. A-M-073 REV. A0

PART NO. 1PXF7XXXXX0DXX

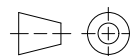
SIZE: A3 SCALE: 1:1 SHEET: 2 OF 3

| REV. | REVISION DESCRIPTION | ECR/ECN NO. | DATE |
|------|----------------------|-------------|------|
| | | | |

PCB LAYOUT:



THIRD ANGLE PROJECTION



UNITS ■ mm □ INCH

ANGLES 0 PLC ± 3
1 PLC ± 2

TOLERANCES UNLESS OTHERWISE SPECIFIED

0 PLC ± 1.00
1 PLC ± 0.50
2 PLC ± 0.25
3 PLC ±
4 PLC ±



Dongguan Circon Technology Co.,Ltd.

TITLE: 1P CIRCULAR CONNECTOR
FIXED SOCKETS

| | | | |
|-------------|---------|------|-----------|
| APPROVED BY | JACK | DATE | 2018-12-8 |
| CHECKED BY | CHARLES | DATE | 2018-12-8 |
| DRAWN BY | ANDY | DATE | 2018-12-8 |

| | | | | | |
|-------|-------------|----------------|------|--------|--------|
| C | DRAWING NO. | A-M-073 | REV. | A0 | |
| | PART NO. | 1PXF7XXXXX0DXX | | | |
| SIZE: | A3 | SCALE: | 1:1 | SHEET: | 3 OF 3 |

| REV. | REVISION DESCRIPTION | ECR/ECN NO. | DATE |
|------|----------------------|-------------|------|
|------|----------------------|-------------|------|